

**The feeder for flat products (paper, cardboard, plastic, film, etc.)
in the middle performance range**

Design and characteristic features:

- Feeding width 300 mm standard
- Product feeding single
- User-friendly and easy fine product gap setting by means of mechanic position displays
- 3-S-System: Exact air gap adjustment of all parameters via digital setting display unit (patent pending)
- Counterrotating separating rollers, equal abrasion of the friction rolls
- Missing sheet detection by product length control
- Min. stack monitoring in the magazine
- Product magazine 300 mm easily accessible for loading
- Individual adjustable and readjustable stack support
- Swivelling exit extension 150 mm with flat belts
- Infinitely adjustable feeding speed
- Drive actuated via powerful DC motor
- Scales for easy readjustment at all setting units
- Ruggedly designed machine frame, anodised aluminium, non-corrosive steel
- Low noise level
- Specification according to EC machinery directive, CE-conformity

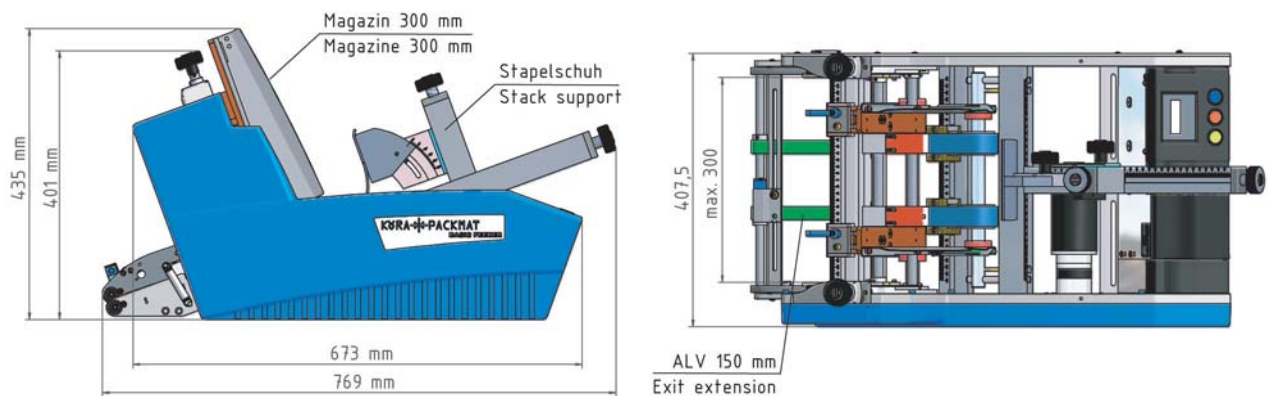
Control:

- 4-line LC-Display, with parameter selection by buttons
- User guidance and status display in different languages (German, English Standard, Other languages selectable)
- Etana Microprocessor control
- Protection type IP 40
- PLC-Interface, 15 pins
- Piece counter preselection with SET / ACT comparison
- Selectable operation mode cycled or continuous
- Self-control functions with diagnosis information
- Fault message indication by way of signal lamp and display
- Preset of the start pulse (high/low)
- Product length setting for missing sheet and doublesheet control
- Product stop position adjustable
- Blowing air follow-up time settable
- Electrical and electronic connectors of plug-in type, protected inside the housing



BF-300 BasicFeeder Friction feeder Technical Data (Standard configuration)

Formats (special formats possible):	min. 60 x 50 mm (short side leading), max. 350 x 300 mm (short side leading),
Feeding speed/ feeding performance (depending on product):	max. 80 m/min. / up to 80 products/min. (DIN A4 cross, cycled)
Product passage (depending on product):	min. 0.1 mm, max. 12 mm, paper quality min. 80 g/m ²
Magazine loading: (depending on the product):	Standard 300 mm, DIN A4 max. 50 mm max. load
Drive:	DC-Motor, infinitely adjustable
Control:	Microprocessor control etana ,PLC control, functions for piece counter, cont. running, self-control, error warning, etc.
Supply voltage / Power input:	230 V / 50 Hz, 300 VA
Air supply:	6 bar, dry, non-oiled air; connection ¼ " only required, when equipped with vacuum suction chamber or support rake
Dimensions (W x D x H) / Weight:	769 x 408 x 435 mm / approx. 40 kg, depending on equipment



Dimensions standard unit, Feeding width 300 mm:

Options:

Exit extension:	- Length 300 mm, 500 mm, Inclination up to 90°, plus customized versions - adjustable lateral guides
Feeding width:	250, 350, 400
Product support extension:	Up to max. 500 mm, special measures on request
Double sheet control:	Electromechanic / electrically / ultrasonic solution
Vacuum suction chamber for friction belt:	With vacuum pump or multi ejector
Intermediate belts:	For products smaller than 60 mm
Support rake:	With self-control, blowing air and safety switch
Magazing	
Magazine stack:	600 mm (depending on product)
Autoloader:	500 up to 3.000 mm, Option: vertical stacking magazine
Stacking tray:	Stacking height 200 mm, with limit stop
Start sensor:	For external start pulse
Level control:	In stacking magazine / autoloader
Signal lamp:	For optical error display / status display; 1, 2, or 3 colours
Floor stand:	- Movable and vertically adjustable +/- 50 mm - Electrically adjustable, feeding height 750 - 1200 mm
Further:	Special versions on request

