



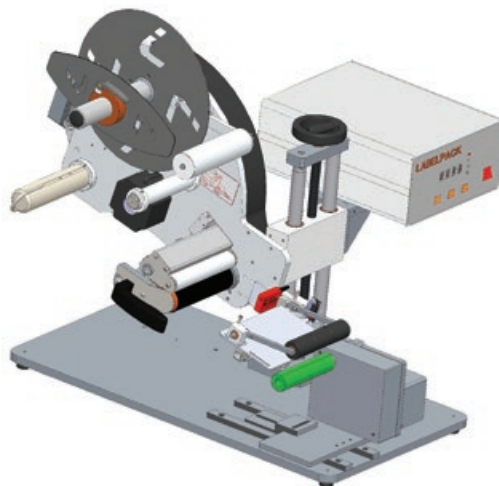
## LABELX® JR TR

Semiautomatic labeller for application onto cylindrical products.

### Standard features

Labelling module	LABELX JR 140-250
Electronic control	in separate box ER
Max. label width	140-250 mm
Motor	Step by step
Roll holder dimension	300 mm
Driving unit	Pull & Push
Dispensing arm	Rigid

Mechanical unwinder | Stop photocell | Positioning device with motorized rolls | Top table base support | Micrometric adjustment unit | Applicator roll with start sensor



## LABELX® JR TT

Semiautomatic labeller for application onto empty tubes for cosmetic products.

### Standard features

Labelling module	LABELX JR 140-250
Electronic control	in separate box ER
Max. label width	140-250 mm
Motor	Step by step
Roll holder dimension	300 mm
Driving unit	Pull & Push
Dispensing arm	Rigid

Mechanical unwinder | Stop photocell | Positioning device with motorized axel | Top table base support | Micrometric adjustment unit | Applicator roll with start sensor



## LABELX® JR TF

Semiautomatic labeller for application onto vials and cylindrical products with small diameter.

### Standard features

Labelling module	LABELX JR 140-250
Electronic control	in separate box ER
Max. label width	140 - 250 mm
Motor	Step by step
Roll holder dimension	300 mm
Driving unit	Pull & Push
Dispensing arm	Rigid

Mechanical unwinder | Stop photocell | Positioning device with motorized rolls | Top table base support | Micrometric adjustment unit | Applicator roll with start sensor



## LABELX® JR TPN

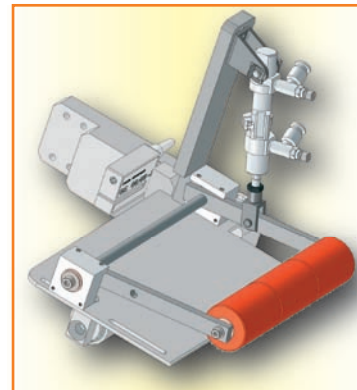
Semiautomatic labeller for application onto flat products.

### Standard features

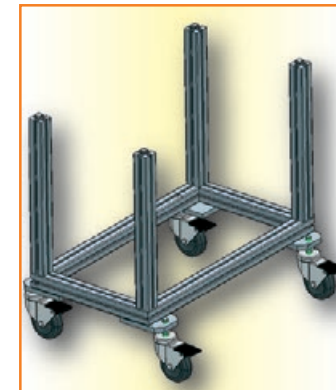
Labelling module	LABELX JR 140-250
Electronic control	in separate box ER
Max. label width	140-250 mm
Motor	Step by step
Roll holder dimension	300 mm
Driving unit	Pull & Push
Dispensing arm	Rigid

Mechanical unwinder | Stop photocell | Positioning device with adjustable guides | Top table base support | Micrometric adjustment unit | Pneumatic applicator with security start buttons

## ACCESSORIES



Pneumatic applicator roll



Support base with wheels